

Technical data sheet



Product features

Toaster 6x holders 2x grid

Model	SAP Code	00004296
--------------	-----------------	----------



- Standard equipment for device: 6x tongs, 2x grid
- Timer: Yes
- Material: Stainless steel
- Indicators: operation and warm-up
- Removable rear wall of the device: Yes
- Container for liquid fat: Yes

SAP Code	00004296	Net Weight [kg]	11.00
Net Width [mm]	453	Power electric [kW]	3.000
Net Depth [mm]	274	Loading	230 V / 1N - 50 Hz
Net Height [mm]	403	Standard equipment for device	6x tongs, 2x grid

Technical data sheet



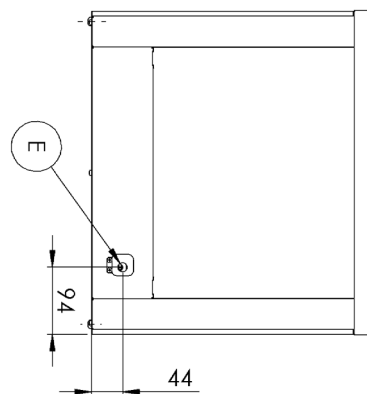
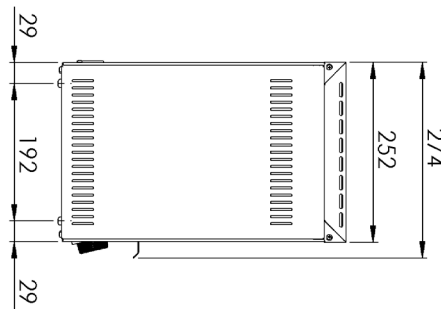
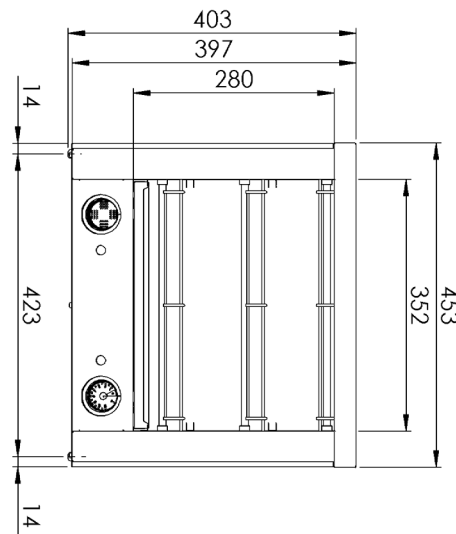
Technical drawing

Toaster 6x holders 2x grid

Model

SAP Code

00004296



Toaster 6x holders 2x grid

Model

SAP Code

00004296

1

All-stainless design

only stainless steel intended for food contact is used

- absolutely rust-proof and non-magnetic design
- resists even weak acids easier compliance with hygiene standards (HACCP); easy maintenance and cleaning

2

Run and warm-up light

optical possibility to check the status of the device

- the operator immediately knows what state the appliance is in on/off, heating/not heating

3

Separate control for individual sections

the possibility of a heating system separately

- greater variability of use

4

Catch container for breadcrumbs

breadcrumbs fall outside the furnace

- no crumbs falling off

5

Removable back wall

possibility to open the back wall of the device

- possible filling of the equipment by the operator

6

Silicon heaters

immediate onset of heat
intense radiant heat

- the device can be switched off even during the operating day
- toasted food vigorously and without overheating inside
- faster food preparation

7

The tongs and grid are part of the standard equipment

I can put the food on the grate or put it in tongs

- universally applicable equipment
- I can prepare different types of food using standard equipment

Technical data sheet



Technical parameters

Toaster 6x holders 2x grid

Model

SAP Code

00004296

1. SAP Code:

00004296

2. Net Width [mm]:

453

3. Net Depth [mm]:

274

4. Net Height [mm]:

403

5. Net Weight [kg]:

11.00

6. Gross Width [mm]:

355

7. Gross depth [mm]:

500

8. Gross Height [mm]:

440

9. Gross Weight [kg]:

12.00

10. Device type:

Electric unit

11. Construction type of device:

Table top

12. Material:

Stainless steel

13. Power electric [kW]:

3.000

14. Loading:

230 V / 1N - 50 Hz

15. Standard equipment for device:

6x tongs, 2x grid

16. Protection of controls:

IPX4

17. Timer:

Yes

18. Removable rear wall of the device:

Yes

19. Container for liquid fat:

Yes

20. Indicators:

operation and warm-up